

ROTOMECH

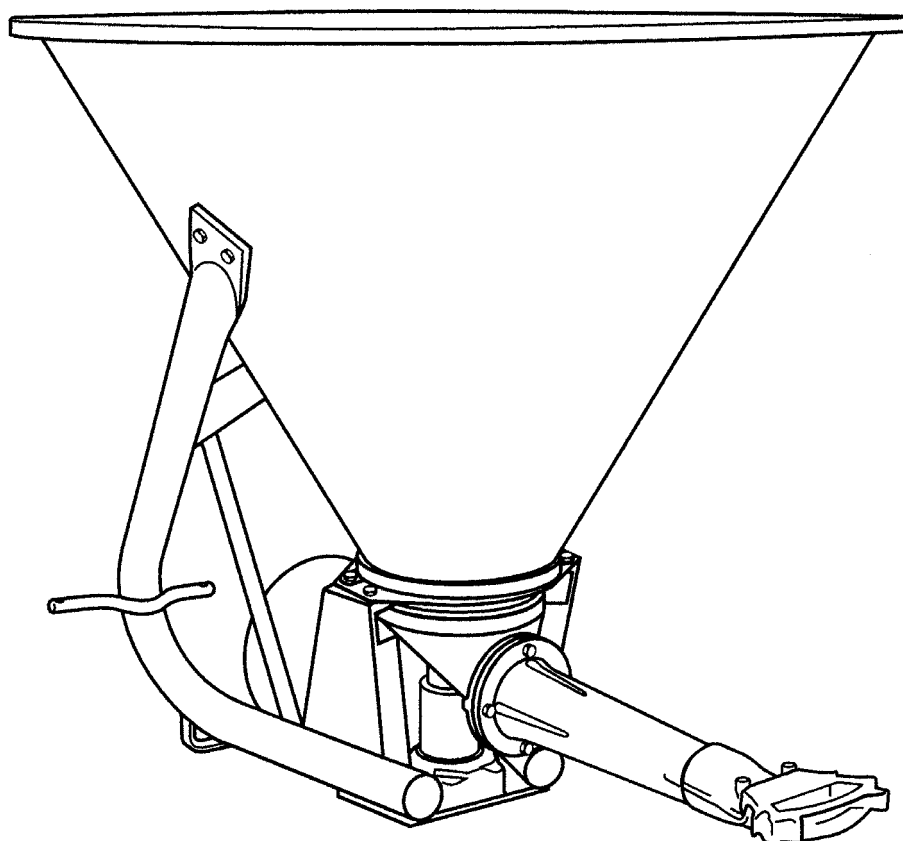
TURBO-HOP '301-350'

Spandiconcime pendolare
Pendular Fertilizer Spreader
Épandeur d'engrais pendulaire
Pendelstreuer

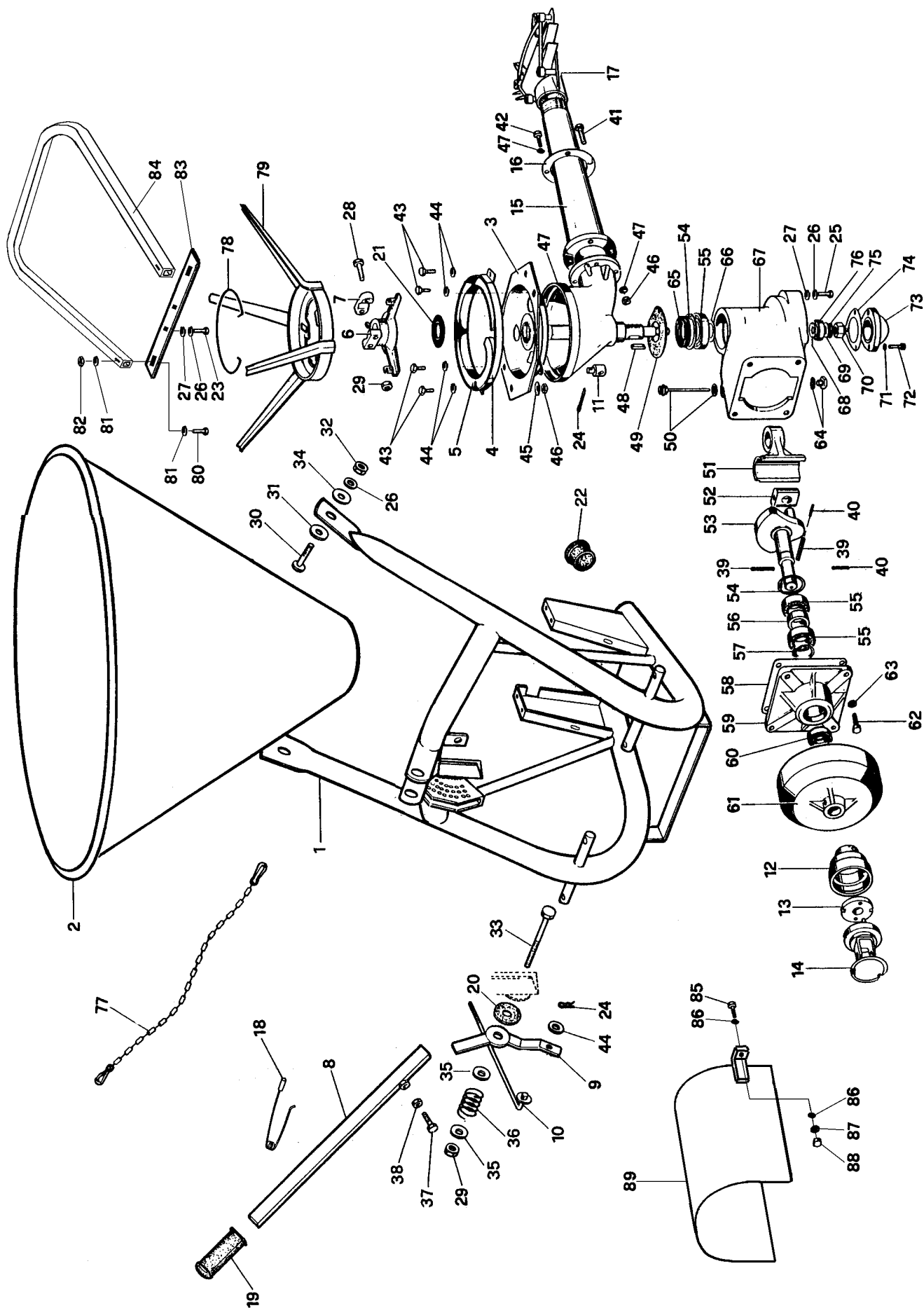
▶ **Gearbox**

▶ **Frame**

▶ **Driveline**



Rotomec: Turbo-Hop '301-350'



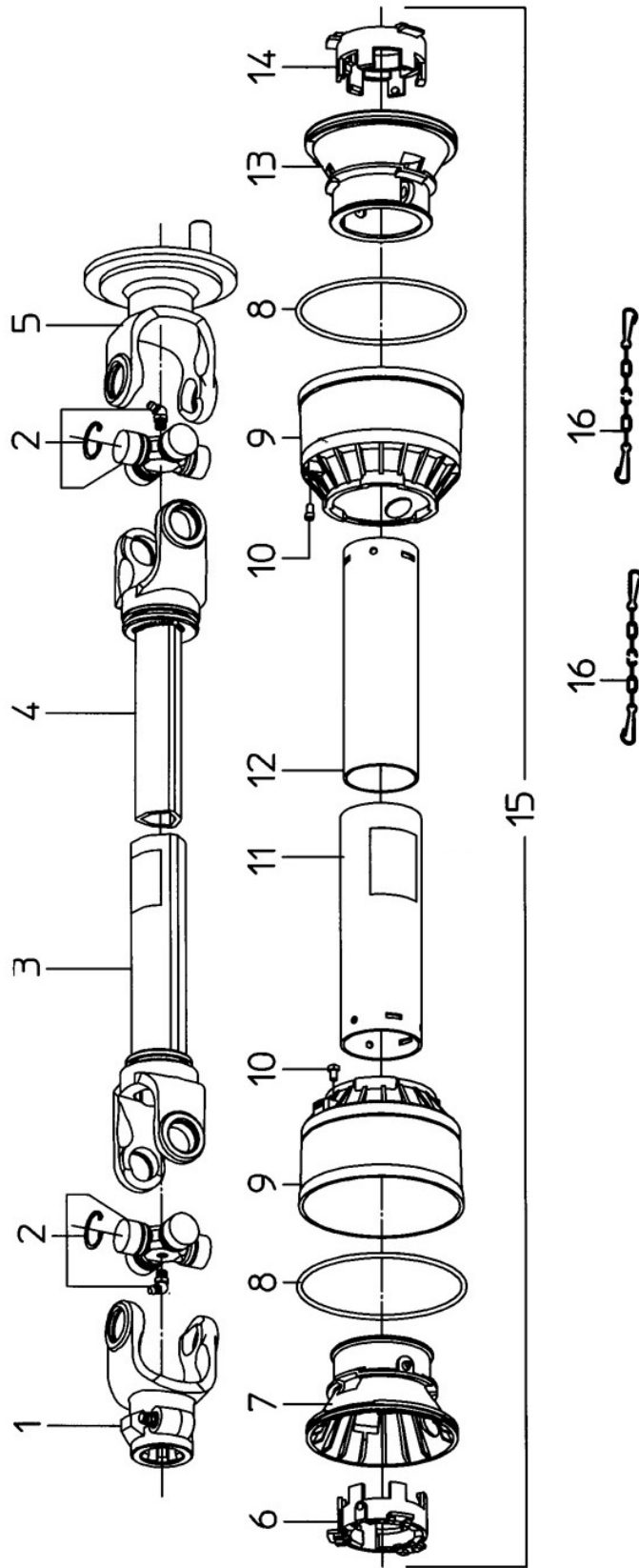
Rotomec: Turbo-Hop '301-350'

N.	COD.	DESCRIZIONE	DESCRIPTION	DESCRIPTION	BESCHREIBUNG	N.
1	370-209R	Telaio	Frame	Châssis	Rahmen	1
2	580-019R	Tramoggia	Hopper	Trémie	Trichter	1
3	627-025R	Gruppo distributore	Distributing unit	Groupe distributeur	Scheibenverteiler	1
4	394-005R	Anello	Ring	Anneau	Ring	1
5	190-758R	Guarnizione	Gasket	Joint d'étanchéité	Dichtung	1
6	415-005R	Agitatore	Agitator	Agitateur	Rührer	1
7	415-205R	Staffa	Bracket	Etrier	Ballast	1
8	373-010R	Leva	Lever	Levier	Hebel	1
9	373-205R	Supporto	Rod support	Support	Auflage	1
10	373-461R	Tirante	Rod	Tirant	Spindel	1
11	354-027R	Nottolino	Pawl	Cliquet	Riegel	1
12	416-005R	Vaschetta	Housing	Cuve	Wännchen	1
13	588-005R	Parastrappi	Shock absorber	Pare-chocs	Absorptionsriß	1
14	256-159R	Anello	Snap ring	Anneau	Ring	1
15	582-005R	Tube	Spout	Tube	Rohr	1
16	368-415R	Anello	Spout ring	Anneau	Ring	1
17	582-206R	Deflettore	Spread deflector	Deflecteur	Leitblech	1
18	611-705R	Molla	Stop	Ressort	Feder	1
19	586-077R	Manopola	Handle	Poignée	Handgriffe	1
20	583-822R	Rondella	Washer	Rondelle	Scheibe	1
21	583-871R	Rondella	Washer	Rondelle	Scheibe	1
22	583-037R	Tappo	Plug	Bouchon	Deckel	2
23	0023265	Vite TE 12x40	Bolt TE 12x40	Vis TE 12x40	Schraube TE 12x40	2
24	0067217	Copiglia 3x35	Cotter pin 3x35	Goupille 3x35	Splint 3x35	2
25	0015255	Vite TE 12x30	Bolt TE 12x30	Vis TE 12x30	Schraube TE 12x30	2
26	0001077	Rosetta M12	Lock washer M12	Rondelle M12	Sprengring M12	7
27	0002265	Rondella piana D.12	Flat washer D.12	Rondelle plate D.12	Flache Scheibe D.12	4
28	0192236	Vite TE 12x70	Bolt TE 12x70	Vis TE 12x70	Schraube TE 12x70	2
29	0013345	Dado D.12	Nut D.12	Ecrou D.12	Mutter D.12	3
30	0008511	Vite TT D.12x35	Bolt TT D.12x35	Vis TT D.12x35	Schraube TT D.12x35	3
31	201-116R	Rondella piana D.18	Flat washer D.18	Rondelle plate D.18	Flache Scheibe D.18	3
32	0001106	Dado D.12	Nut D.12	Ecrou D.12	Mutter D.12	3
33	0007128	Vite TE 12x80	Bolt TE 12x80	Vis TE 12x80	Schraube TE 12x80	1
34	0076106	Rondella piana D.12 FL	Flat washer D.12 FL	Rondelle plate D.12 FL	Flache Scheibe D.12 FL	3
35	0091435	Rondella piana D.14	Flat washer D.14	Rondelle plate D.14	Flache Scheibe D.14	2
36	610-143R	Molla	Spring	Ressort	Feder	1
37	0091446	Vite TE D.8x25	Bolt TE D.8x25	Vis TE D.8x25	Schraube TE D.8x25	1
38	0001806	Dado D.8	Nut D.8	Ecrou D.8	Mutter D.8	1
39	503-093B	Spina elastica D.10x60	Roll pin D.10x60	Goupille élastique D.10x60	Spannstift D.10x60	2
40	0046521	Spina elastica D.6x60	Roll pin D.6x60	Goupille élastique D.6x60	Spannstift D.6x60	2
41	0038614	Vite TE 10x40	Bolt TE 10x40	Vis TE 10x40	Schraube TE 10x40	3
42	0091281	Vite TE 10x35	Bolt TE 10x35	Vis TE 10x35	Schraube TE 10x35	1
43	0033176	Vite TE 10x25	Bolt TE 10x25	Vis TE 10x25	Schraube TE 10x25	4
44	0002034	Rondella piana D.10	Flat washer D.10	Rondelle plate D.10	Flache Scheibe D.10	5
45	0001280	Rondella grower D.10	Spring washer D.10	Rondelle élastique D.10	Scheibe D.10	4
46	0090150	Dado D.10	Nut D.10	Ecrou D.10	Mutter D.10	4
47	510-505R	Vaschetta	Housing	Cuve	Wännchen	1
48	258-103R	Linguetta 12x8x36	Key 12x8x36	Clavette 12x8x36	Schlüssel 12x8x36	1

Rotomec: Turbo-Hop '301-350'

N.	COD.	DESCRIZIONE	DESCRIPTION	DESCRIPTION	BESCHREIBUNG	N.
49	583-890R	Rondella	Washer	Rondelle	Scheibe	1
50	583-364R	Tappo	Dipstick with washer	Bouchon	Deckel	1
51	412-005R	Forcella	Yoke	Fourche	Gabel	1
52	514-505R	Piattino	Slide	Plat	Platte	1
53	310-505R	Albero	Shaft	Arbre	Welle	1
54	0025329	Seeger interno D.72	Inner snap ring D.72	Circlip interne D.72	Innenseegerring D.72	2
55	0025332	Cuscinetto 6207	Bearing 6207	Roulement 6207	Lager 6207	3
56	351-006R	Distanziale	Spacer	Entretoise	Distanzstück	1
57	0042122	Seeger esterno D.35	Outer snap ring D.35	Circlip externe D.35	Außenseegerring D.35	1
58	670-510R	Guarnizione	Gasket	Joint d'étanchéité	Dichtung	1
59	411-305R	Coperchio	Cover	Couvercle	Deckel	1
60	0002295	Paraolio 35.62.10	Oil seal 35.62.10	Pare-huile 35.62.10	Simmering 35.62.10	1
61	413-005R	Volano	Fly washer	Volant	Stellrad	1
62	224-654R	Vite	Bolt	Vis	Schraube	4
63	202-310R	Rondella	Washer	Rondelle	Scheibe	4
64	261-677R	Tappo	Plug W/Washer	Bouchon	Deckel	1
65	275-559R	Paraolio 44.72.10	Oil seal 44.72.10	Pare-huile 44.72.10	Simmering 44.72.10	1
66	351-007R	Distanziale	Spacer	Entretoise	Distanzstück	1
67	411-005R	Scatola	Gearbox housing	Boîte	Gehäuse	1
68	351-005R	Distanziale	Spacer	Entretoise	Distanzstück	1
69	203-020R	Rondella	Washer	Rondelle	Scheibe	1
70	213-120R	Dado	Nut	Ecrou	Mutter	1
71	202-306R	Rondella	Washer	Rondelle	Scheibe	3
72	228-062R	Vite	Bolt	Vis	Schraube	3
73	411-330R	Coperchietto	Cover	Couvercle	Deckel	1
74	570-505R	Guarnizione	Gasket	Joint d'étanchéité	Dichtung	1
75	200-021R	Rondella	Washer	Rondelle	Scheibe	1
76	0006627	Cuscinetto 6205	Bearing 6205	Roulement 6205	Lager 6205	1
77	016-025E	Catena	Chain	Chaîne	Kette	1
78	611-715R	Molla	Spring	Ressort	Feder	1
79	393-820R	Agitatore per polvere	Powder agitator	Agitateur pour poudre	Pulverrührer	1
80	0014490	Vite TE 8x50	Bolt TE 8x50	Vis TE 8x50	Schraube TE 8x50	2
81	0014514	Rondella piana D.8 FL	Flat washer D.8 FL	Rondelle plate D.8 FL	Flache Scheibe D.8 FL	4
82	0091384	Dado D.8	Nut D.8	Ecrou D.8	Mutter D.8	2
83	0014985	Staffa	Bracket	Etrier	Ballast	1
84	0014986	Protezione Tubo	Tube protection	Protection tube	Rohrschutz	1
85	0015012	Vite TE 8x20	Bolt TE 8x20	Vis TE 8x20	Schraube TE 8x20	2
86	0015230	Rondella piana D.8	Flat washer D.8	Rondelle plate D.8	Flache Scheibe D.8	4
87	0003144	Rondella grower D.8	Spring washer D.8	Rondelle élastique D.8	Scheibe D.8	2
88	0046545	Dado D.8	Nut D.8	Ecrou D.8	Mutter D.8	2
89	0014987	Protezione volano	Fly washer protection	Protection volant	Stellradschutz	1

Rotomec: Turbo-Hop '301-350'



Rotomec: Turbo-Hop '301-350'

N.	COD.	DESCRIZIONE	DESCRIPTION	DESCRIPTION	BESCHREIBUNG	N.
1	021-001E	Forcella	Yoke (tractor end)	Fourche	Gabel	1
2	011-130E	Crociera	Cross and bearing	Croisillon	Kreuzgelenk	2
3	1941049C	Tubo esterno	Outer tube and yoke	Tube externe	Außenrohr	1
4	1951051C	Tubo interno	Inner tube and yoke	Tube interne	Innenrohr	1
5	1091080C	Forcella	Yoke assembly	Fourche	Gabel	1
6	1781210C	Anello tubo esterno	Outer tube bearing	Anneau tube externe	Außenrohrring	1
7	1784201C	Controcuffia tubo esterno	Outer tube rigid cone	Contre-coiffe tube ext.	Außenringgegentopf	1
8	1213233C	Anello di supporto	Stiffening rings	Anneau de support	Stützring	2
9	1784203C	Cuffia esterna	Soft cone	Coiffe externe	Außenschutztopf	2
10	1784212C	Spina di bloccaggio	Pin for stop rotation	Goupille	Haltestift	2
11	1773047C	Tubo esterno	Outer tube	Tube extérieur	Außenrohr	1
12	1872047C	Tubo interno	Inner tube	Tube intérieur	Innenrohr	1
13	1784202C	Controcuffia tubo interno	Inner tube rigid cone	Contre-coiffe tube int.	Innenrohrgegentopf	1
14	1781211C	Anello tubo interno	Inner tube bearing	Anneau tube interne	Innenrohrring	1
15	90SS1047C	Protezione completa	Shield complete	Protection complète	Kompletter Schutz	1
16	016-025E	Catena	Chain	Chaîne	Kette	2
	948-006B	Cardano completo	Driveline complete	Arbre à cardan complet	Komplette Kardanwelle	1