



AGROFER



CARRI

CART / REMORQUE / ANHÄNGER / REMOLQUE / ТЕЛЕЖКА

www.agrofer.it



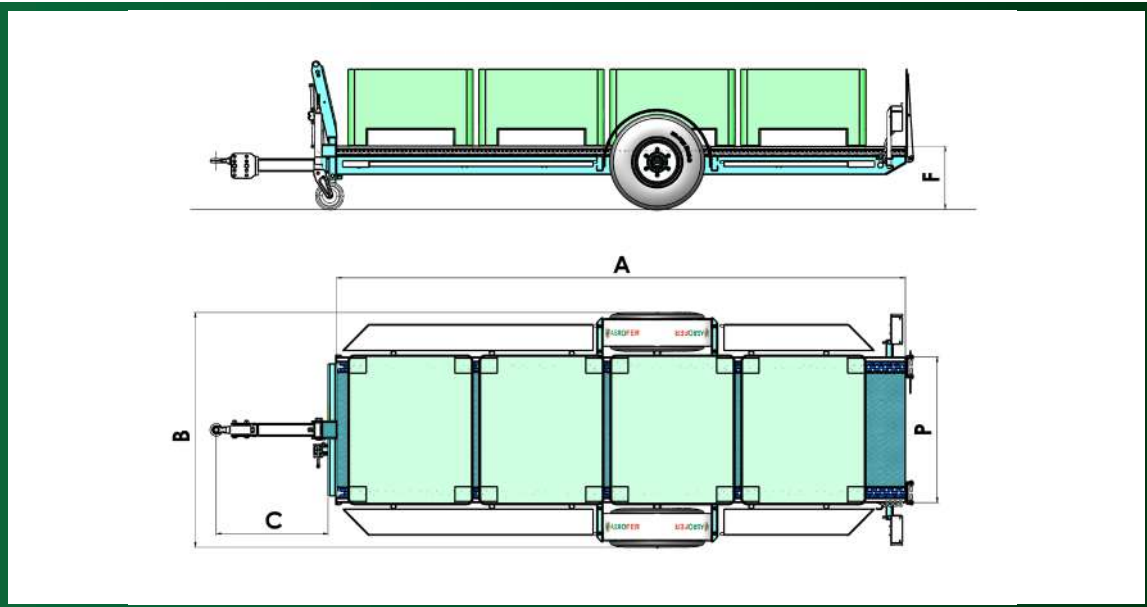


<i>G40 RT</i>	1
<i>G40 RT Tandem</i>	3
<i>E12-E12 BIG</i>	5
<i>ECO S</i>	7
<i>Telescopico</i>	9
<i>Box Train ONE</i>	11
<i>PCB/3</i>	15
<i>PCB Bins Tandem</i>	17
<i>G40 TM RE</i>	21
<i>G40 TM RS</i>	23
<i>PM RS TANDEM S</i>	25
<i>PTM</i>	29
<i>PMG</i>	31
<i>PMG AS</i>	31
<i>DDF INOX</i>	37
<i>DUMPER INOX</i>	39
<i>AFRR INOX</i>	41
<i>AFRR TA INOX</i>	43





G40 RT



G40 RT/G40 RT/G40 RT/G40 RT/G40 RT





Mod. G40 RT BINS 113x113 - 120x110

MOD.	N. Cassoni	A mm	B mm	C mm	P mm	F mm		 Kg
G40 RT/3	3	3440	1850	1000	1250	550	10.075 15.3	550
G40 RT/4	4	4570	1850	1000	1250	550	10.075 15.3	580
G40 RT/S	6 Pallet 120x80	4900	1850	1000	1250	550	10.075 15.3	620
G40 RT/5	5	5700	1850	1000	1250	550	10.075 15.3	680

Mod. G40 RT SA BINS 120x100 - 120x80

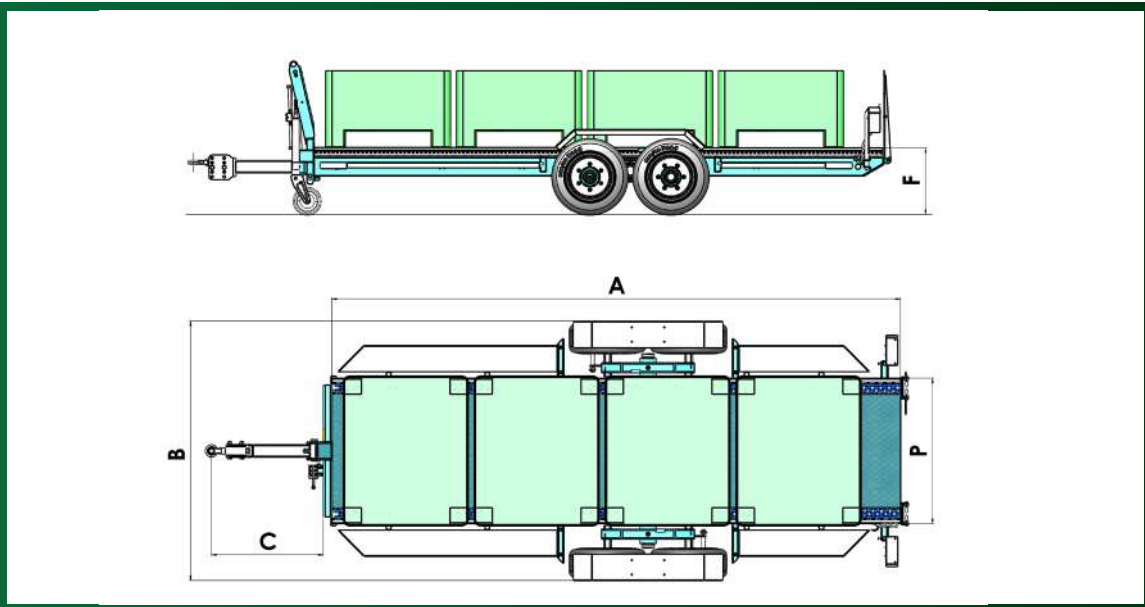
MOD.	N. Cassoni	A mm	B mm	C mm	P mm	F mm		 Kg
G40 RT/3 SA	3	3640	1650	1000	1050	550	10.075 15.3	550
G40 RT/4 SA	4	5900	1650	1000	1050	550	10.075 15.3	600
G40 RT/5 SA	5	6050	1650	1000	1050	550	10.075 15.3	680
G40 RT/6 SA	6	7100	1650	1000	1050	550	10.075 15.3	760

Mod. G40 RT LS BINS 120x100 - 120x80



MOD.	N. Cassoni	A mm	B mm	C mm	P mm	F mm		 Kg
G40 RT/3 LS	3	3050	1850	1000	1250	550	10.075 15.3	550
G40 RT/4 LS	4	4050	1850	1000	1250	550	10.075 15.3	550
G40 RT/5 LS	5	5050	1850	1000	1250	550	10.075 15.3	600
G40 RT/6 LS	6	6050	1850	1000	1250	550	10.075 15.3	680
G40 RT/7 LS	7	7100	1850	1000	1250	550	10.075 15.3	760

G40 RT TANDEM



G40 RT TANDEM / G40 RT TANDEM / AG40 RT TANDEM /
G40 RT TANDEM / G40 RT TANDEM





Mod. G40 RT TA BINS 113x113 - 120x110

MOD.	N. Cassoni	A mm	B mm	C mm	P mm	F mm		 Kg
G40 RT/4 TA	4	4570	1950	1000	1250	550	200/6014.5	680
G40 RT/S TA	6 Pallet 120x80	4900	1950	1000	1250	550	200/6014.5	720
G40 RT/5 TA	5	5700	1950	1000	1250	550	200/6014.5	800



Mod. G40 RT TA SA BINS 120x100 - 120x80

MOD.	N. Cassoni	A mm	B mm	C mm	P mm	F mm		 Kg
G40 RT/4 SA TA	4	4900	1800	1000	1050	500	200/6014.5	720

Mod. G40 RT TA LS BINS 120x100 - 120x80

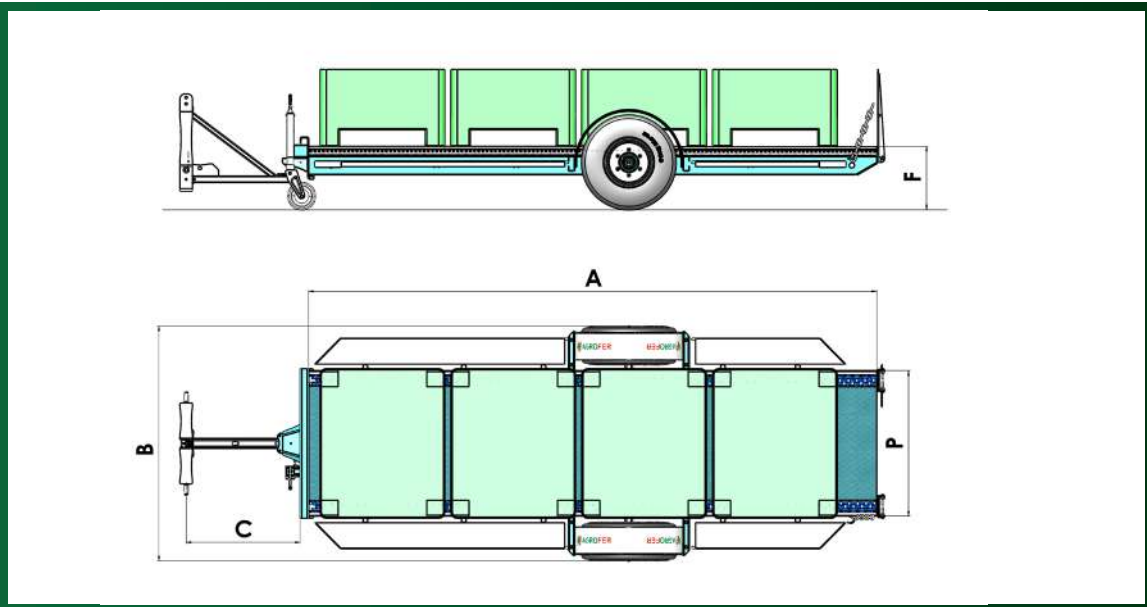
MOD.	N. Cassoni	A mm	B mm	C mm	P mm	F mm		 Kg
G40 RT/4 LS TA	4	4050	1950	1000	1250	550	200/6014.5	650
G40 RT/5 LS TA	5	5050	1950	1000	1250	550	200/6014.5	720

Mod. G40 RT TA SUPER



MOD.	N. Cassoni	A mm	B mm	C mm	P mm	F mm		 Kg
G40 RT/5 super TA	5	5700	2050	1000	1250	550	10.075 15.3	850
G40 RT/5 super SA TA	5	6050	1850	1000	1050	500	10.075 15.3	880
G40 RT/6 super LS TA	6	6050	2050	1000	1250	550	10.075 15.3	880
G40 RT/7 super LS TA	7	7100	2050	1000	1250	550	10.075 15.3	880

E12 - E12BIG



E12 - E12 BIG / E12 - E12 BIG / E12 - E12 BIG /
E12 - E12 BIG / E12 - E12 BIG





Mod. E12 BINS 113x113 - 120x110

MOD.	N. Cassoni	A mm	B mm	C mm	F mm	P mm		 Kg
E12 /3	3	3440	1850	850	550	1250	10.075 15.3	550
E12 /4	4	4570	1850	850	550	1250	10.075 15.3	630
E12 /5	5	5700	1850	850	550	1250	10.075 15.3	650



Mod. E12 SA BINS 120x100 - 120x80

MOD.	N. Cassoni	A mm	B mm	C mm	F mm	P mm		 Kg
E12/3 SA	3	3640	1650	850	550	1050	10.075 15.3	550
E12/4 SA	4	4860	1650	850	550	1050	10.075 15.3	630



Mod. E12 LS BINS 120x100 - 120x80

MOD.	N. Cassoni	A mm	B mm	C mm	F mm	P mm		 Kg
E12/3 LS	3	3050	1850	450	450	1250	10.075 15.3	450
E12/4 LS	4	4050	1850	450	450	1250	10.075 15.3	490
E12/5 LS	5	5050	1850	450	450	1250	10.075 15.3	550

Mod. E12 BIG SA TELAIO DA 150X150

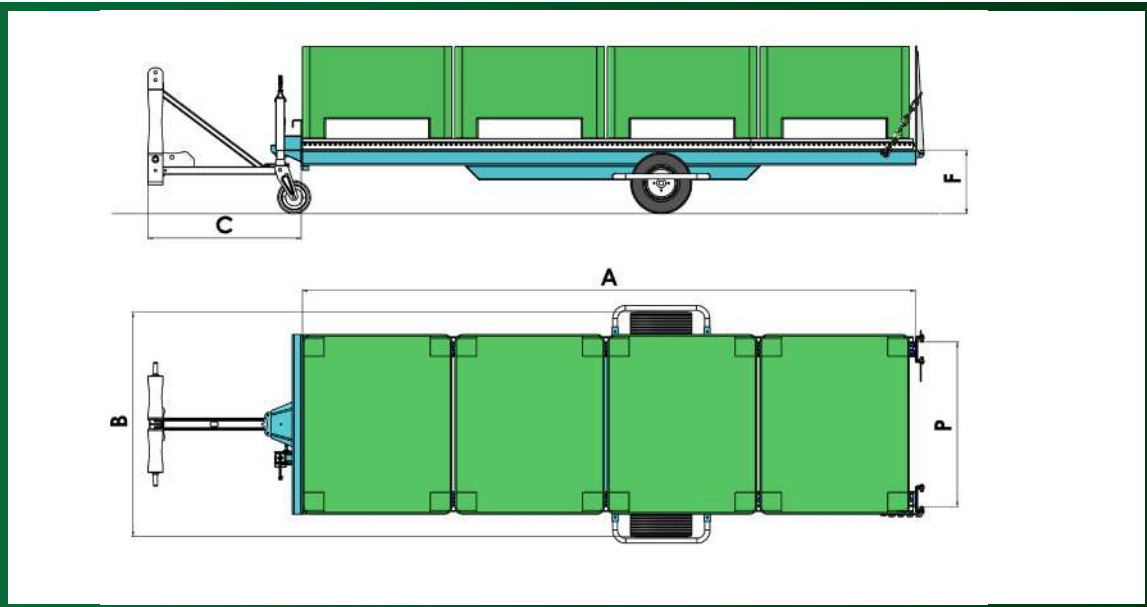
MOD.	N. Cassoni	A mm	B mm	C mm	F mm	P mm		 Kg
E12/5 SA	5	6050	1650	500	450	1050	10.075 15.3	850
E12/6 SA	6	7100	1650	500	450	1050	10.075 15.3	880



Mod. E12 BIG LS TELAIO DA 150X150

MOD.	N. Cassoni	A mm	B mm	C mm	F mm	P mm		 Kg
E12/6 LS	6	6050	1850	500	450	1250	10.075 15.3	850
E12/7 LS	7	7100	1850	500	450	1250	10.075 15.3	880

ECO S

ECO S/ECO S/ECO S/ECO S/ECO S

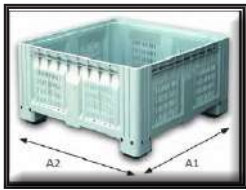


MOD.	N. Cassoni	A mm	B mm	C mm	F mm	P mm		 Kg
ECO 3.S.	3	3400	1500	850	450	1100	16.5x6.5-8	300
ECO 4.S.	4	4530	1500	850	450	1100	16.5x6.5-8	380
ECO 3 SA.S.	3	3640	1380	850	450	800	16.5x6.5-8	320
ECO 4 SA.S.	4	4860	1380	850	450	800	16.5x6.5-8	430
ECO 3 LS.S	3	3050	1500	850	450	1100	16.5x6.5-8	300
ECO 4 LS.S	4	4050	1500	850	450	1100	16.5x6.5-8	430

TELESCOPICO

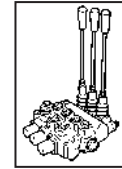
*TELESCOPIC / TÉLESCOPIQUE / TELESKOPISCH /
TELESCÓPICO / ТЕЛЕСКОПИЧЕСКИЙ*







DIMENSIONE BINS

A1	A2
113	113
120	110
120	100
120	120
120	80 A RICHIESTA





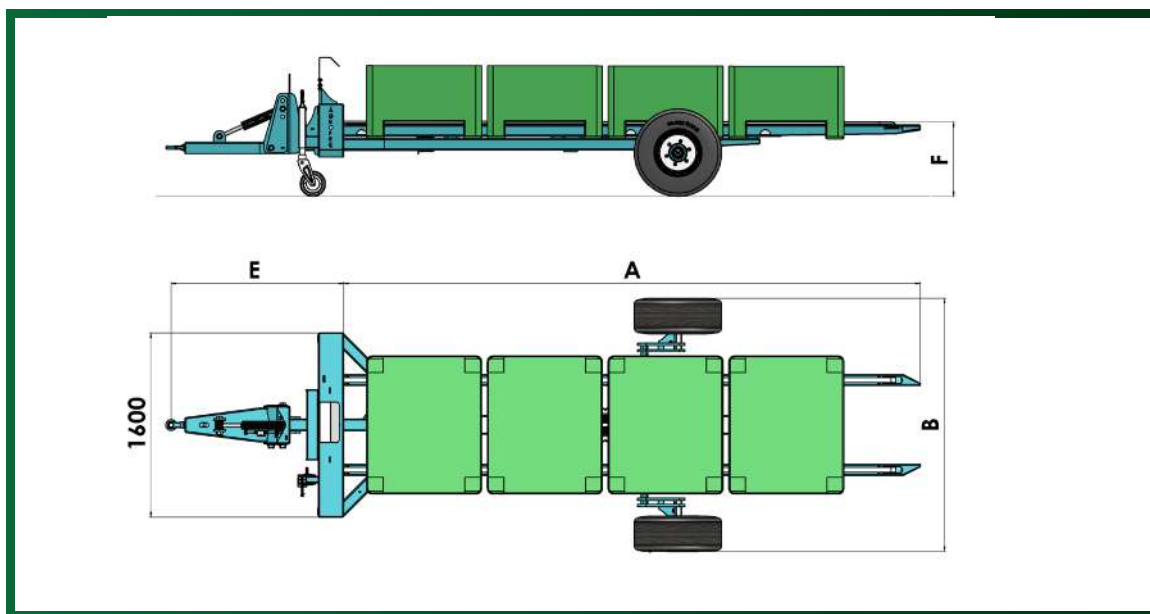
Mod. Telescopico SUPER

MOD.	N. Cassoni	A mm	F mm min-max	E mm	 Kg	 B
Telescopico /4	4	5000	100-600	1280	1050	10.075 15.3 - B=2050
Telescopico /5	5	6000	100-600	1280	1150	

Mod. Telescopico TOP Electronic



MOD.	N. Cassoni	A mm	F mm min-max	E mm	 Kg	 B
Telescopico EL/4	4	5000	100-600	1280	1050	10.075 15.3 - B=2050
Telescopico EL/5	5	6000	100-600	1280	1150	



BOX TRAIN ONE1 - ONE2

BOX TRAIN ONE / BOX TRAIN ONE / BOX TRAIN ONE /
BOX TRAIN ONE / BOX TRAIN ONE





AGROFER



CENTINA IDRAULICA per G40-E12

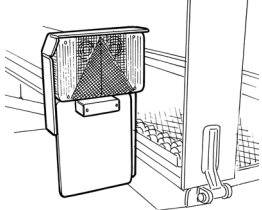
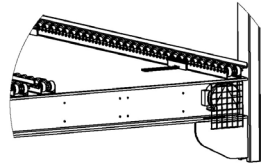
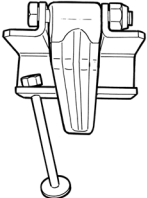
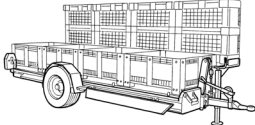
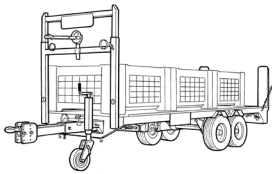
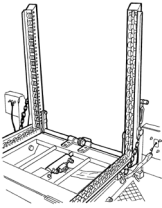
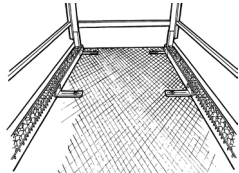
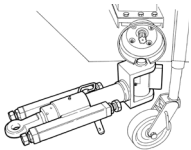
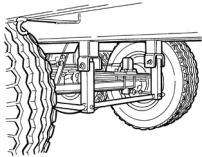
*CART TELESCOPIC / REMORQUE TÉLESCOPIQUE / ANHÄNGER TELESKOPISCH /
REMOLQUE TELESCÓPICO / ТЕЛЕЖКА ТЕЛЕСКОПИЧЕСКИЙ*



Min mm	Max mm
3300	7000
1300	1800

ACCESSORI



ACCESSORIES / ACCESSOIRES / ZUBEHÖR / ACESSÓRIOS /
ACCESORIOS / AKCECCYAPЫ

	CR 001	E12 / ECO S / TELESCOPICO
	CR 002	N° 2 3000 - 4000 mm
	CR 003	N° 2 4000 - 6000 mm
	CR 004	N° 2 6000 - 8000 mm
	CR 018	G40 RT / G40 RT TA E12 - ECO S
	CR 005	G40 RT / G40 RT TA / E12
	CR 006	G40 RT / G40 RT TA / E12 ECO S
	CR 007	G40 RT / G40 RT TA / E12
	CR 008	G40 RT / G40 RT TA / E12
	CR 009	
	CR 010	G40 RT / G40 RT TA
	CR 011	E 12

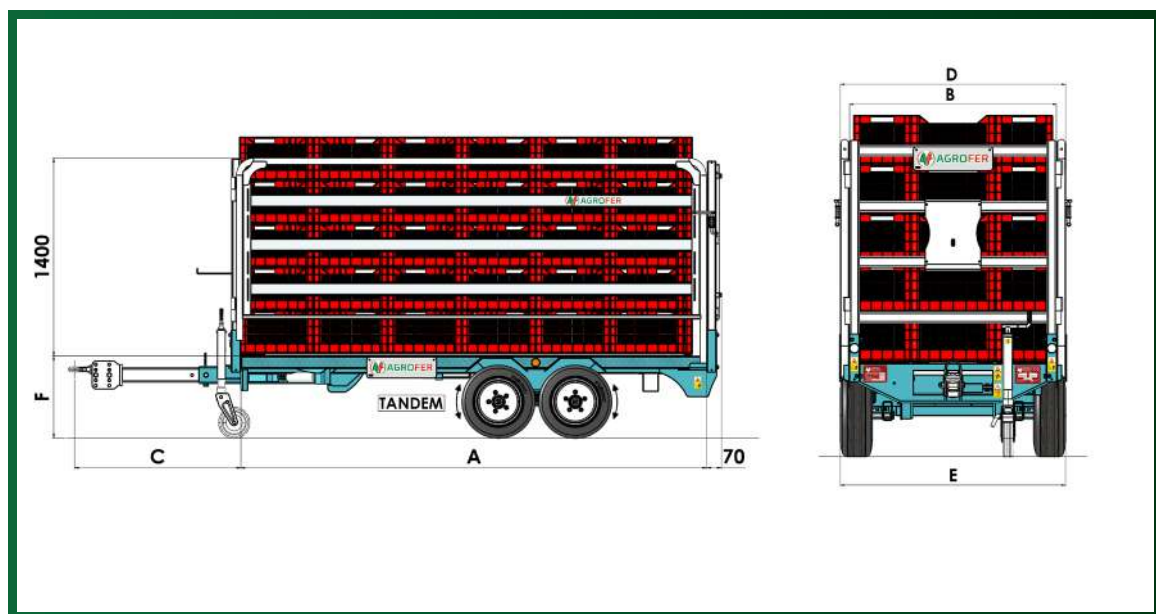
PBC/3

PBC/3 / PBC/3 / PBC/3 / PBC/3 / PBC/3



MOD.	A mm	B mm	C mm	D mm	E	F mm		 Kg
Mod. PBC/3 – 950 Ruote 20.5/ 8.00-10	3300	950	1000	1050	1050	600	60020.5/ 8.00-10	660
Mod. PBC/3 – 1300 Ruote 20.5/ 8.00-10	3300	1300	1000	1400	1400	600	60020.5/ 8.00-10	720
Mod. PBC/3 – 1450 Ruote 20.5/ 8.00-10	3300	1450	1000	1550	1450	600	60020.5/ 8.00-10	760
Mod. PBC/3 – 4100x1300 Ruote 20.5/ 8.00-10	4100	1300	1000	1400	1400	600	60020.5/ 8.00-10	780
Mod. PBC/3 – 4100x1450 Ruote 20.5/ 8.00-10	4100	1450	1000	1550	1450	600	60020.5/ 8.00-10	800
Mod. PBC/3 – 4100x1300 Ruote 200/60 – 14.5	4100	1300	1000	1400	1400	720	200/6014.5	780
Mod. PBC/3 – 4100x1450 Ruote 200/60 – 14.5	4100	1450	1000	1550	1450	720	200/6014.5	800
Mod. PBC/3 – 5000x1300 Ruote 200/60 – 14.5	5000	1300	1000	1400	1400	720	200/6014.5	860



Mod. PBC/3 – 6000x1300 Ruote 200/60 – 14.5	6000	1300	1000	1400	1400	720	200/6014.5	900
Mod. PBC/3 – 5000x1700 Ruote 10/075.15 12 PR	5000	1700	1000	1800	1600	720	10.075 15.3	990

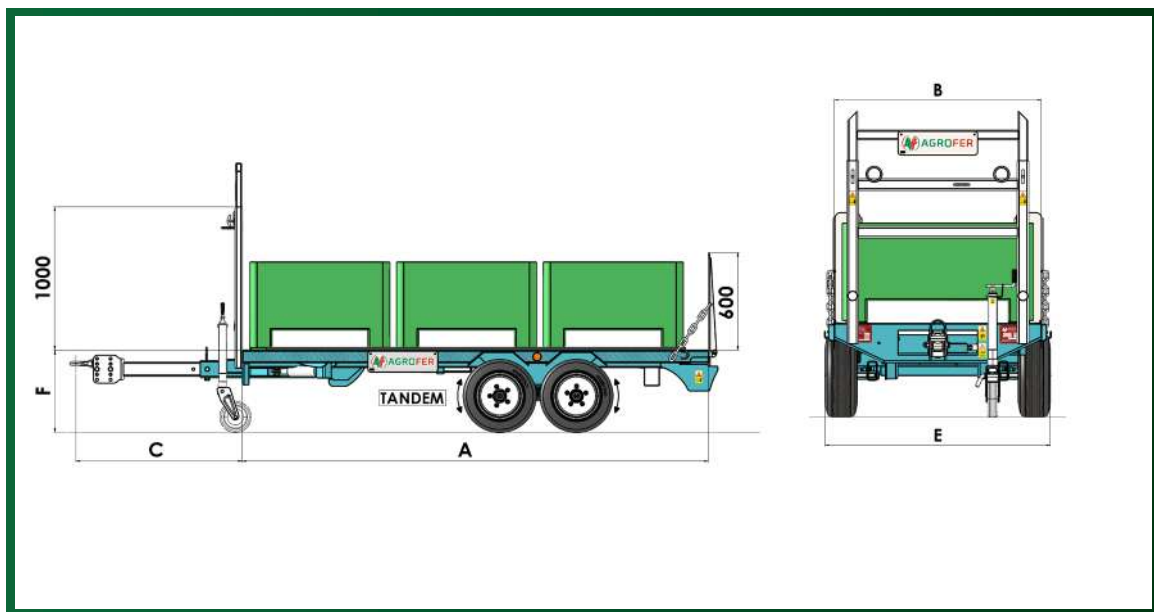


PBC BINS TANDEM

*PBC BINS TANDEM / PBC BINS TANDEM / PBC BINS TANDEM / PBC BINS TANDEM /
PBC BINS TANDEM*

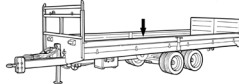
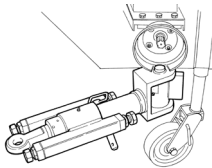
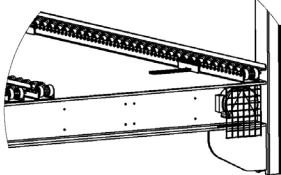

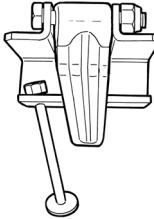
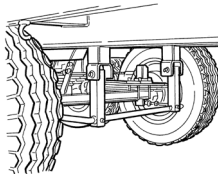
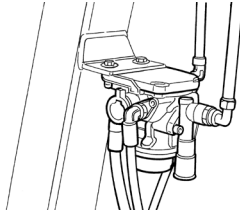
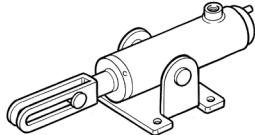


MOD.	A mm	B mm	C mm	E mm	F mm		 Kg
PBC/3 BINS 33x9	3300	950	1000	1050	600	20.5 8.00-10	600
PBC/3 BINS 33x13	3300	1300	1000	1400	600	20.5 8.00-10	720
PBC/3 BINS 33x14	3300	1450	1000	1550	600	20.5 8.00-10	760
PBC/3 BINS 41x13	4100	1300	1000	1400	600	20.5 8.00-10	780
PBC/3 BINS 41x14	4100	1450	1000	1550	600	20.5 8.00-10	800
PBC/3 BINS 30x13	3050	1300	1000	1400	600	20.5 8.00-10	600
PBC/3 BINS 34x13	3450	1300	1000	1400	600	20.5 8.00-10	600
PBC/3 BINS 37x13	3700	1300	1000	1400	600	20.5 8.00-10	700
PBC/3 BINS 40x13	4050	1300	1000	1400	600	20.5 8.00-10	700
PBC/3 BINS 46x13	4600	1300	1000	1400	600	20.5 8.00-10	780
PBC/3 BINS 49x13	4900	1300	1000	1400	600	20.5 8.00-10	780



ACCESSORI

ACCESSORIES / ACCESSOIRES / ZUBEHÖR / ACESSÓRIOS /
ACCESORIOS / AKCECCYAPBI

	CR 015
	CR 016
	CR 010
	CR 002
	CR 003
	CR 004
	CR 017
	CR 018
	CR 011
	CR 013
	CR 012

CENTINA IDRAULICA PBC/3

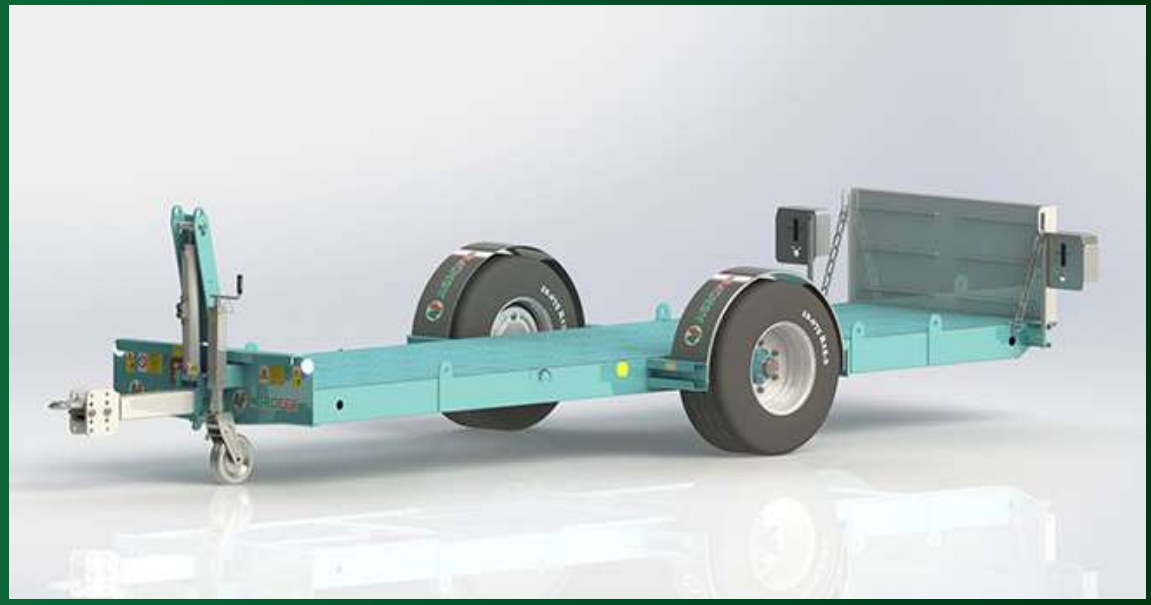
HYDRAULIC RIB PBC/3 / STRUCTURE HYDRAULIQUE PBC/3 / HYDRAULISCHE RIPPENSTRUKTUR PBC/3 /
ESTRUTURA HIDRÁULICA COM NERVURAS PBC/3 / ESTRUCTURA ACANALADA HIDRÁULICA PBC/3 /
ГИДРАВЛИЧЕСКАЯ РЕБРИЧНАЯ КОНСТРУКЦИЯ PBC/3







Min mm	Max mm
3300	6000
1300	1800

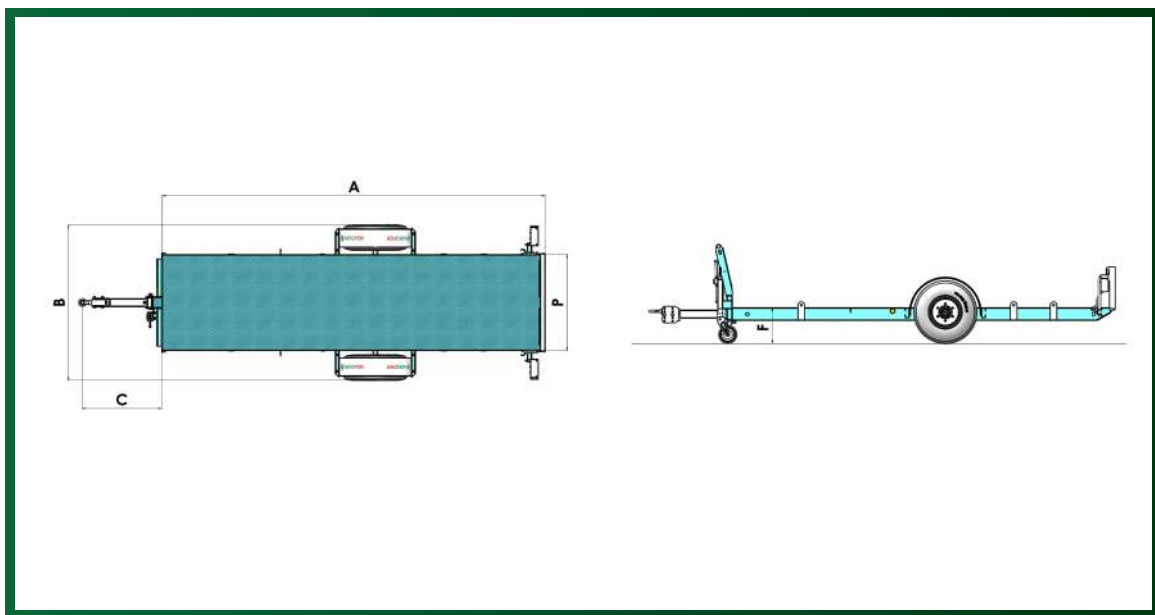
G40 TM RE

G40 TM RE / G40 TM RE / G40 TM RE / G40 TM RE / G40 TM RE



MOD.	P mm	A mm	B mm	C mm	F mm		 Kg
G40 TM RE 40.14	1400	4000	2000	1000	400	10.075 15.3	550
G40 TM RE 45.14	1400	4500	2000	1000	400	10.075 15.3	580
G40 TM RE 50.14	1400	5000	2000	1000	400	10.075 15.3	620


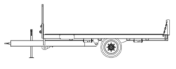
MOD. S.	P mm	A mm	B mm	C mm	F mm		 Kg
G40 TM RE 40.16	1600	4000	2200	1000	400	10.075 15.3	680
G40 TM RE 45.16	1600	4500	2200	1000	400	10.075 15.3	720
G40 TM RE 50.16	1600	5000	2200	1000	400	10.075 15.3	750



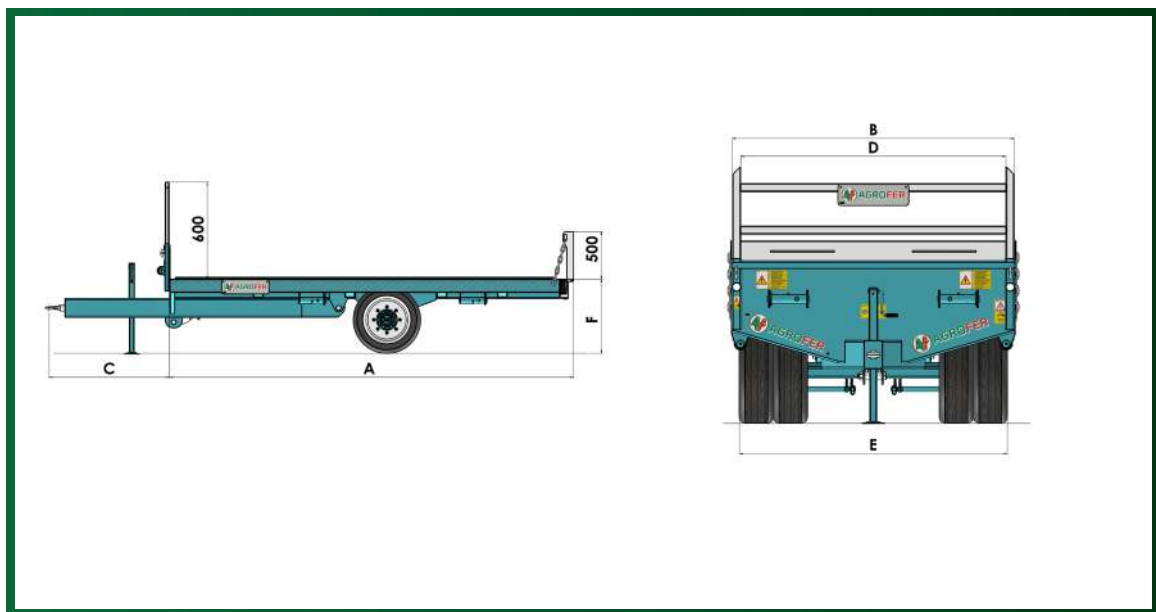
G40 TM RS

G40 TM RS / G40 TM RS / G40 TM RS / G40 TM RS / G40 TM RS



MOD.	A mm	B mm	C mm	D mm	F mm	E mm		 Kg
G40 TM RS 41x20	4100	2000	1300	1940	750	1900	215/75 R17.5	1100
G40 TM RS 45x22,5	4500	2250	1300	2190	750	2150	215/75 R17.5	1500
G40 TM RS 50x22,5	5000	2250	1300	2190	750	2150	215/75 R17.5	1600
G40 TM RS 50x24,5	5000	2450	1300	2390	750	2350	215/75 R17.5	1720
G40 TM RS 55x24,5	5500	2450	1300	2390	750	2350	215/75 R17.5	1800
G40 TM RS 60x24,5	6000	2450	1300	2390	750	2350	215/75 R17.5	2020
G40 TM RS 65x24,5	6500	2450	1300	2390	750	2350	215/75 R17.5	2150

G40 TM RS 46x22,5	4600	2250	1300	2190	750	2150	215/75 R17.5	1550
G40 TM RS 60x24,5	6000	2450	1300	2390	750	2350	215/75 R17.5	1920

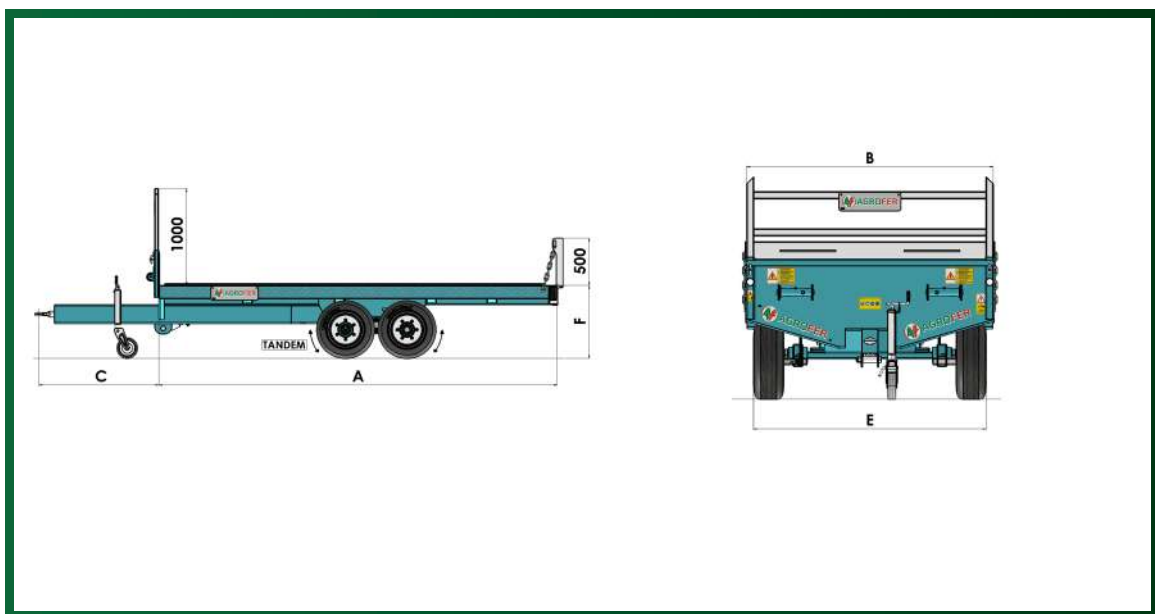


PM RS TANDEM S

PM RS TANDEM S / PM RS TANDEM S / PM RS TANDEM S /
PM RS TANDEM S / PM RS TANDEM S



MOD. mm		A mm	B mm	C mm	E mm	F mm	 Kg
PM. RS. S 37x17	20.5 / 8.00 - 10	3700	1700	1000	1600	600	750
PM. RS. S 37x17 S	200/6014.5	3700	1700	1000	1600	700	820
PM. RS. S 40x13	200/6014.5	4100	1300	1000	1400	700	700
PM. RS. S 40x17	200/6014.5	4100	1700	1000	1400	700	830
PM. RS. S 50x13	200/6014.5	5000	1300	1000	1400	700	850
PM. RS. S 50x13 S	10/075 - 15.3	5000	1300	1000	1400	700	900
PM. RS. S 50x17 S	10/075 - 15.3	5000	1700	1000 <td 1700	860	980	
PM. RS. S 60x13 S	10/075 - 15.3	6000	1300	1000	1400	860	1080
PM. RS. S 60x17 S	10/075 - 15.3	6000	1700	1000	1700	860	1150
PM. RS. S 60x20 S	10/075 - 15.3	6000	2000	1000	2000	860	1250



CENTINA IDRAULICA

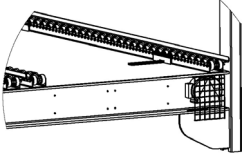
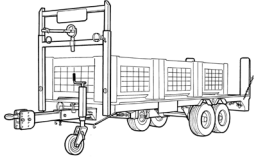
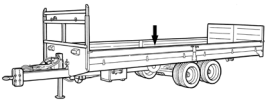
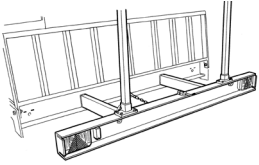
HYDRAULIC RIB / STRUCTURE HYDRAULIQUE / HYDRAULISCHE RIPPENSTRUKTUR /
ESTRUTURA HIDRÁULICA COM NERVURAS / ESTRUCTURA ACANALADA HIDRÁULICA /
ГИДРАВЛИЧЕСКАЯ РЕБРИЧНАЯ КОНСТРУКЦИЯ



Min mm	Max mm
3300	7000
1300	2000

ACCESSORI

ACCESSORIES / ACCESSOIRES / ZUBEHÖR / ACESSÓRIOS /
ACCESORIOS / АКЦЕССУАРЫ



	CR 002
	CR 003
	CR 006
	CR 015
	CR 016
	CR 020

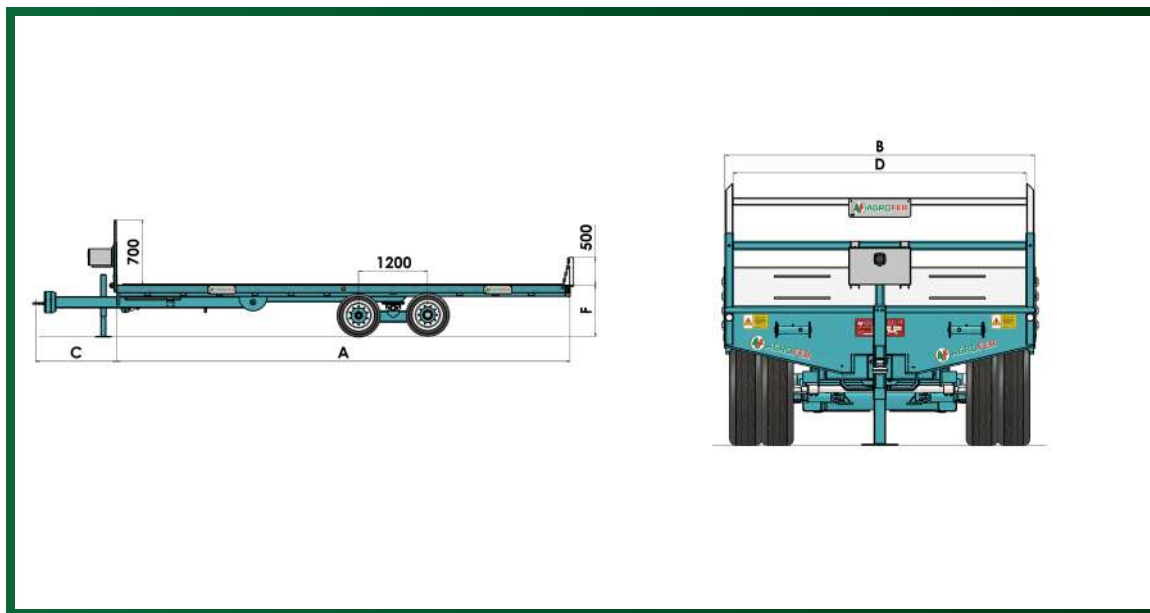
PTM

PTM / PTM / PTM / PTM / PTM



MOD. PTM - PTM AS

MOD.	A mm	B mm	C mm	D mm	F mm		 Kg.
P.T.M. 50x22	5000	2250	1500	2190	850	215/75 R17.5	2220
P.T.M. 60x22	6100	2250	1500	2190	850	215/75 R17.5	2960
P.T.M. 61x24	6100	2450	1500	2390	850	215/75 R17.5	2960
P.T.M. HI 76x24	7600	2450	1500	2390	850	215/75 R17.5	3150





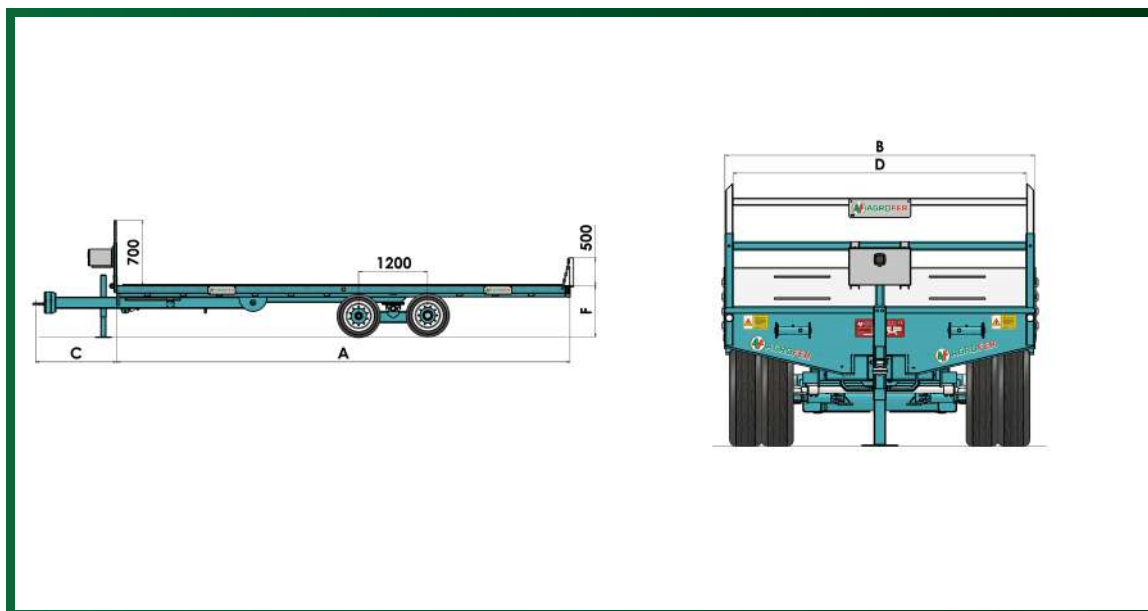
PIANALE PMG - PMG AS

TRAILER PMG / PLATEAU PMG / PLATTFORM PMG /
PLATAFORMA PMG / ПЛАТФОРМА PMG



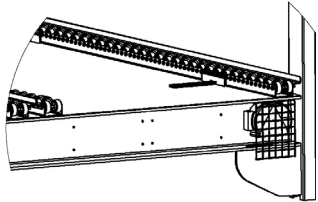
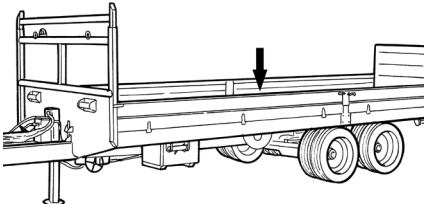

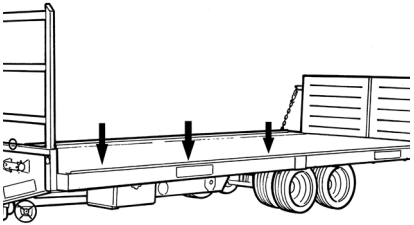
MOD. PMG - PMG AS

MOD.	A mm	B mm	C mm	D mm	F mm		 Kg
P.M.G. 57X22	5700	2250	1500	2190	930	215/75 R17.5	3050
P.M.G. 61x25	6100	2500	1500	2440	930	215/75 R17.5	3200
P.M.G. 66x25	6600	2500	1500	2440	930	215/75 R17.5	3300
P.M.G. 76x25	7600	2500	1500	2440	930	215/75 R17.5	3950
P.M.G. 86x25	8600	2500	1500	2440	930	215/75 R17.5	4700
P.B.C. 96x25	9600	2500	1500	2440	930	215/75 R17.5	5000



ACCESSORI

ACCESSORIES / ACCESSOIRES / ZUBEHÖR / ACESSÓRIOS /
ACCESORIOS / АКЦЕССУАРЫ

FOTO	CODICE	MACCHINA
	CR 003	P.T.M. / P.M.G.
	CR 004	
	CR 016	P.T.M. / P.M.G.
	CR 019	
	PN 001	P.T.M. / P.M.G.
	PN 002	P.T.M. / P.M.G.
	PN 003	
	PN 004	
	PN 005	P.T.M. / P.M.G.
	PN 006	P.T.M. / P.M.G.
	PN 007	P.T.M. / P.M.G.
	PN 008	P.T.M. / P.M.G.
	PN 009	P.T.M. / P.M.G.

CENTINA IDRAULICA PER CARRI PTM - PMG

HYDRAULIC RIB PTM-PMG / STRUCTURE HYDRAULIQUE PTM-PMG /

HYDRAULISCHE RIPPENSTRUKTUR PTM-PMG /

ESTRUTURA HIDRÁULICA COM NERVURAS PTM-PMG / ESTRUCTURA ACANALADA HIDRÁULICA PTM-

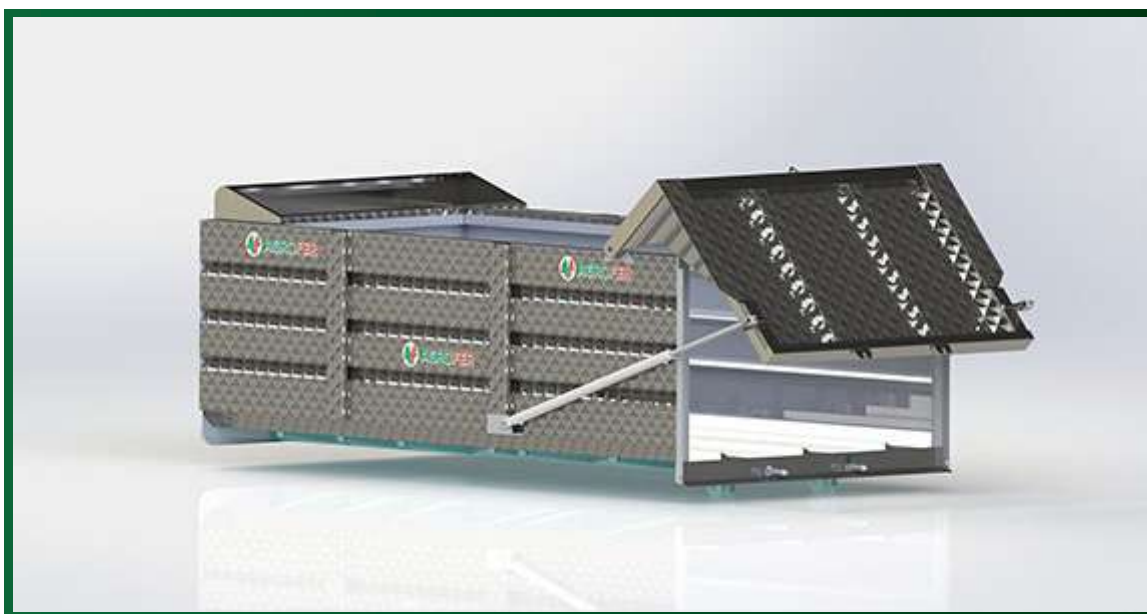
PMG / ГИДРАВЛИЧЕСКАЯ РЕБРИЧНАЯ КОНСТРУКЦИЯ PTM-PMG

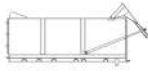
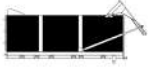


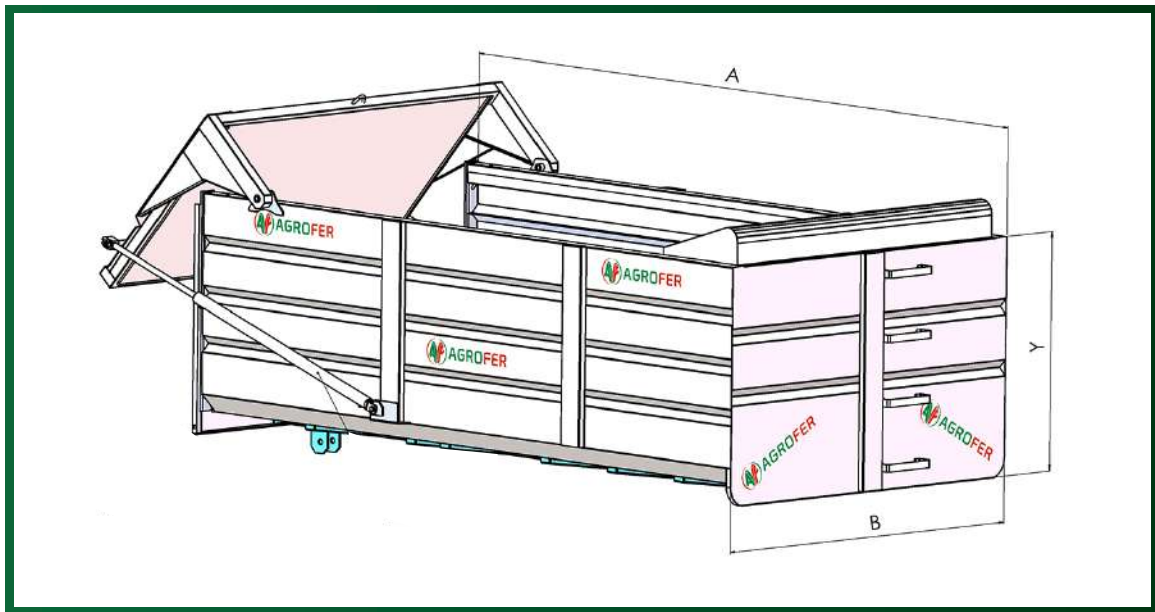
Minima mm	Massima mm
5000	8500
2000	2500

VASCA PER RIMORCHIO AGRICOLO

TANK FOR AGRICULTURAL TRAILER / CAISSE POUR REMORQUE AGRICOLE /
WANNE FÜR LANDANHÄNGER / CONTENEDOR INOX PARA REMOLQUE AGRICOLA /
КОРОБ ДЛЯ СЕЛЬСКОХОЗЯЙСТВЕННОГО ПРИЦЕПА





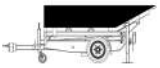
	MOD	 Kg	A	B	Y	 M ³
20/10	VA 30.18	480	3100	1800	1200	5.0
	VA 33.18	520	3300	1800	1200	5.5
	VA 33.20	540	3300	2000	1200	5.8
	VA 36.18	530	3600	1800	1200	6.0
	VA 36.20	570	3600	2000	1200	6.5
25/10	VA 41.18	580	4100	1800	1200	7.0
	VA 41.20	620	4100	2000	1200	7.8
	VA 46.20	650	4600	2000	1200	9.0
	VA 46.22	700	4600	2200	1200	12
	VA 51.22	770	5100	2200	1200	13
	VA 55.23	800	5500	2300	1200	14
Y					1400	

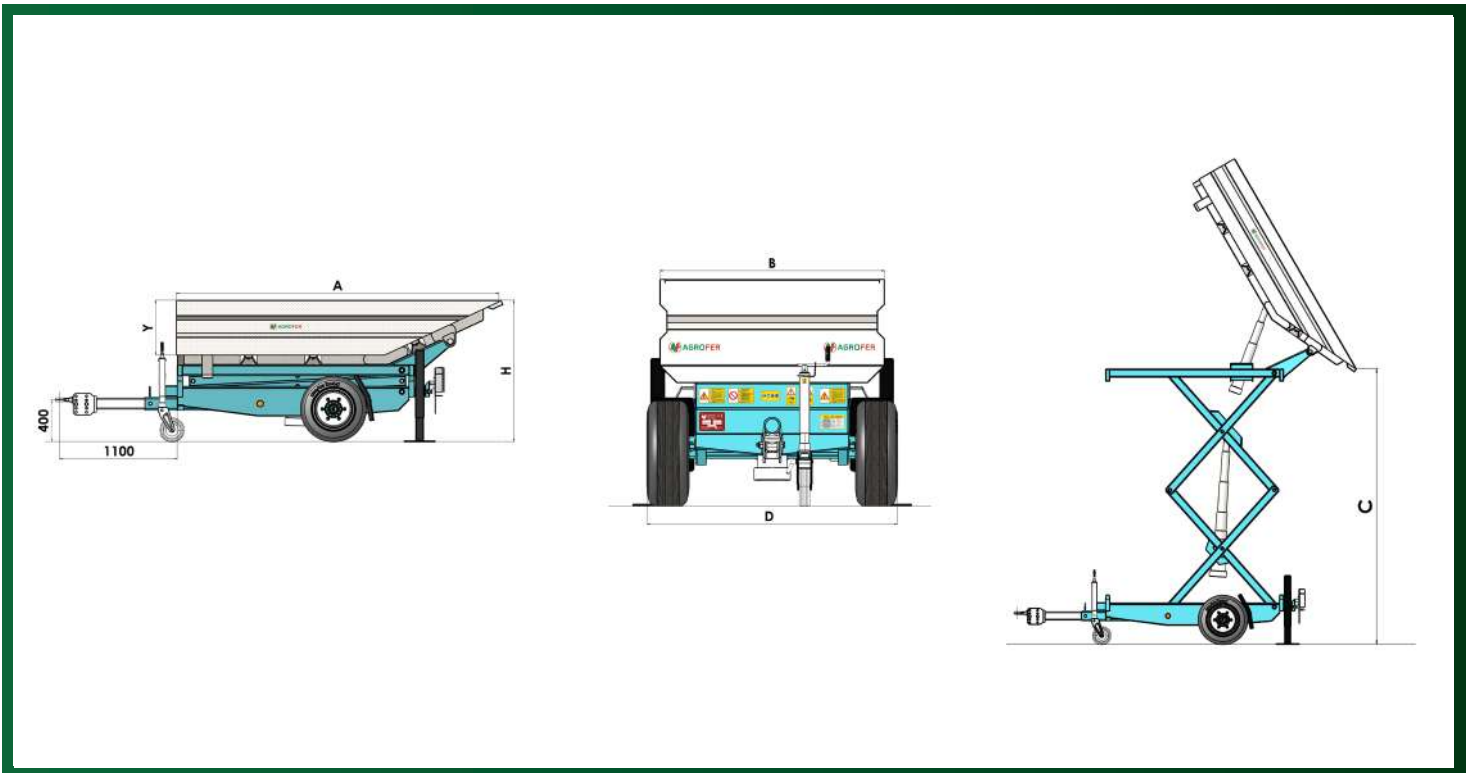


CARRO DDF INOX

STAINLESS STEEL DDF / DDF INOX / DDF INOX /
DDF INOX / ТЕЛЕЖКА DDF ИЗ НЕРЖАВЕЮЩЕЙ СТАЛИ





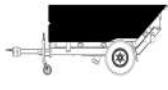
MOD.	A mm	B mm	C mm	D mm	Y mm	H mm		 Kg.	 M3
DDF 13	3000	1300	3500	1400	500	1300	200/60-14,5	1100	1.7
DDF 15	3000	1500	3500	1600	500	1300	200/60-14,5	1200	2.5
DDF 18	4000	1800	3000	1800	500	1500	340/55-16	2650	5.0

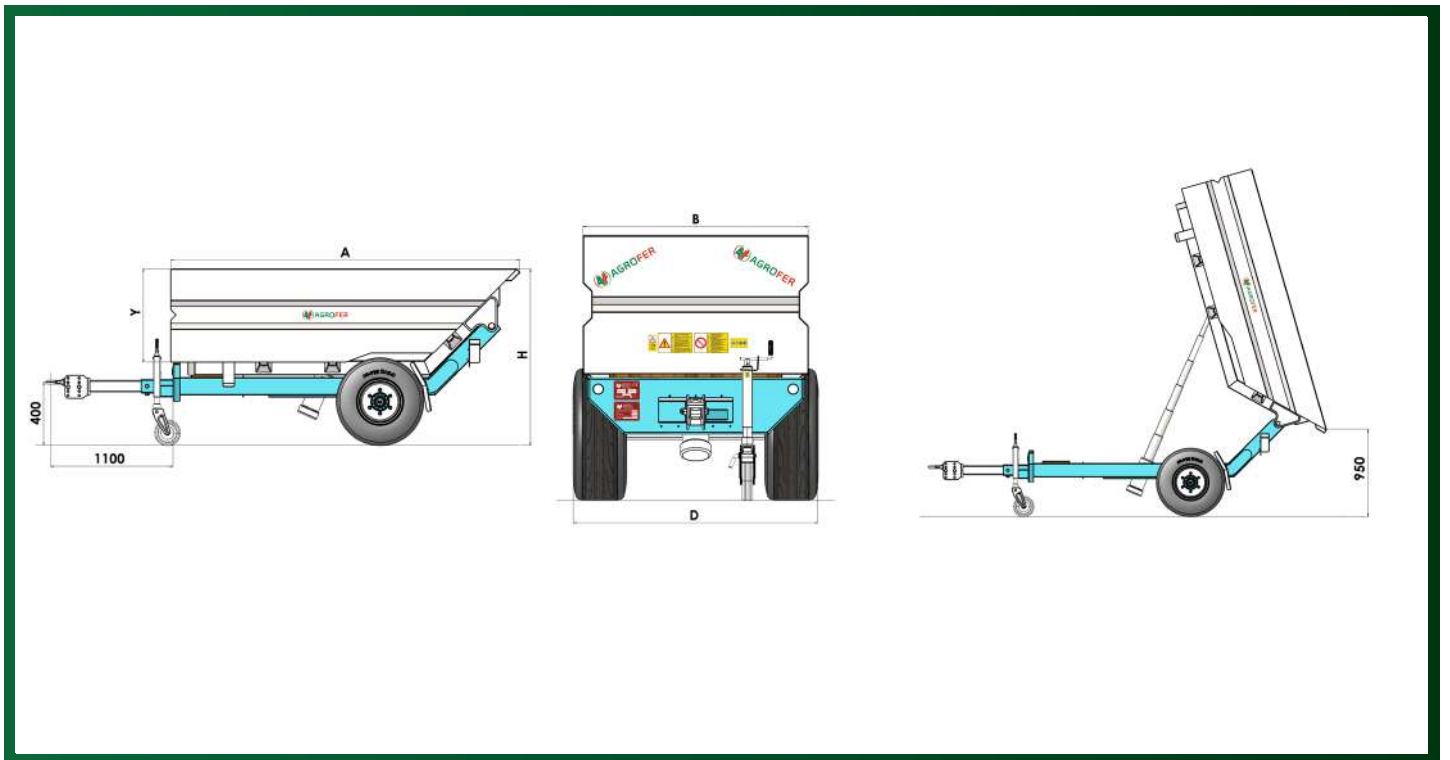


DUMPER INOX

STAINLESS STEEL DUMPER / DUMPER INOX / DUMPER INOX / DUMPER INOX / ТЕЛЕЖКА DUMPER ИЗ /
НЕРЖАВЕЮЩЕЙ СТАЛИ





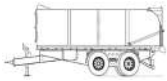
MOD.	A mm	B mm	D mm	Y mm	H mm		 Kg	 M3
D 30X13	3000	1300	1400	800	1400	10.0/75-15.3 16PR	950	2.8
D 30x16	3000	1500	1600	800	1500	10.0/75-15.3 16PR	1060	3.2
D 35x15	3500	1500	1600	800	1500	10.0/75-15.3 16PR	1200	4.2
D 35x18	3500	1800	1900	800	1600	10.0/75-15.3 16PR	1280	4.8

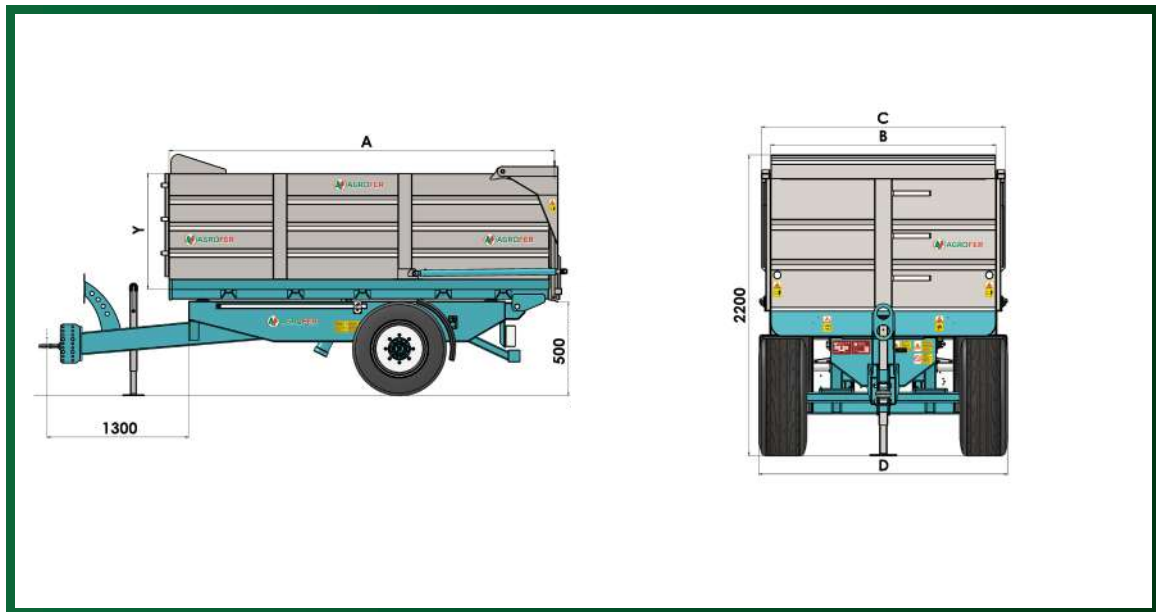


AFRR INOX

STAINLESS STEEL AFRR / AF RR INOX / AFRR INOX /
AFRR INOX / ТЕЛЕЖКА AFRR ИЗ НЕРЖАВЕЮЩЕЙ СТАЛИ




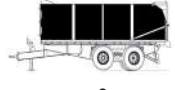
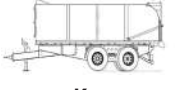
MOD.	A mm	B mm	C mm	D mm	Y mm		 m ³	 Kg.
AF RR INOX 35x18	3500	1800	2000	2000	1200	355/50 R22.2	5.5	1930
AF RR INOX 38x18	3800	1800	2000	2000	1200	355/50 R22.2	6.5	2050
AF RR INOX 40x20	4000	2000	2200	2200	1200	355/50 R22.2	8	2200

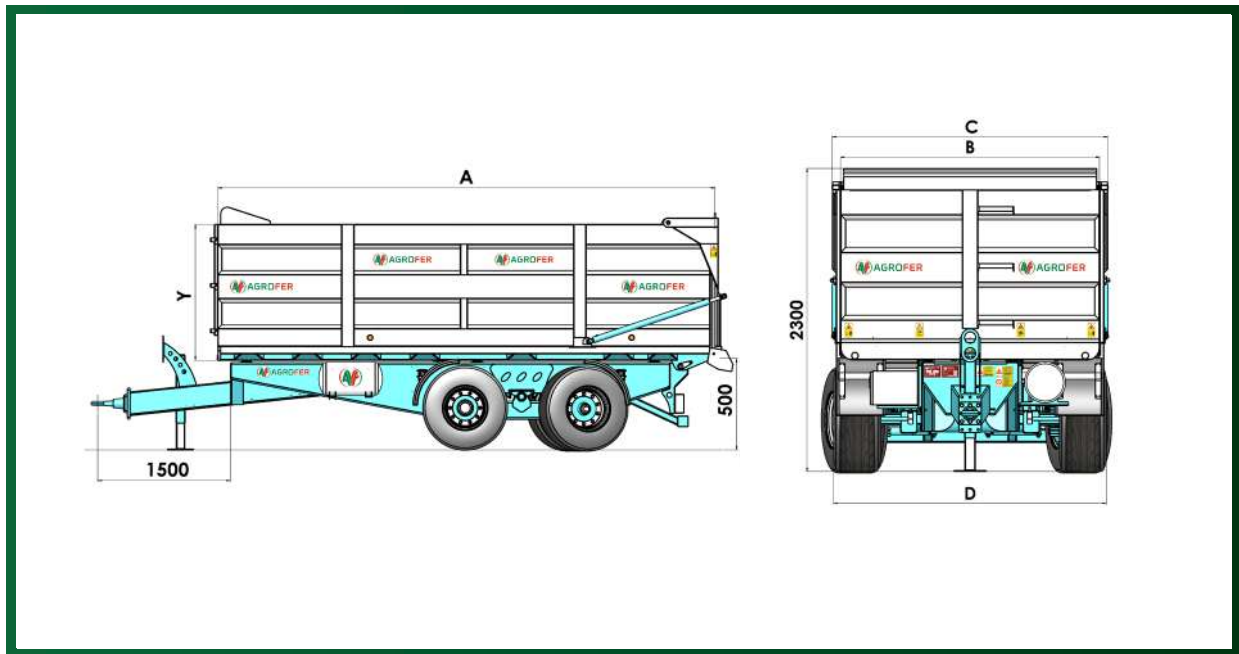


AFRR TA INOX

STAINLESS STEEL AFRR TA / AFRR TA INOX / AFRR TA INOX /
AFRR TA INOX / ТЕЛЕЖКА AFRR TA ИЗ НЕРЖАВЕЮЩЕЙ СТАЛИ

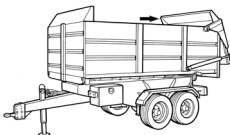
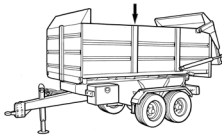
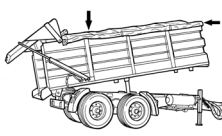
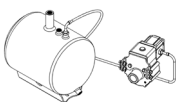
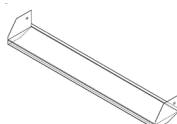
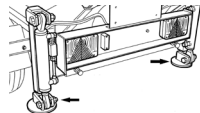
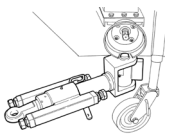
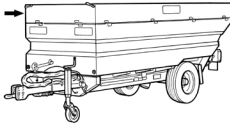


MOD.	A mm	B mm	C mm	D mm	Y mm		 m ³	 Kg.
AF RR TA INOX 45x25	4500	2000	2200	2200	1200	355/50 R22.2 o 435/50 19.5	10	3200
AF RR TA INOX 50x20	5000	2000	2200	2200	1200	355/50 R22.2 o 435/50 19.5	12	3600
AF RR TA INOX 50x23	5000	2300	2500	2500	1200	355/50 R22.2 o 435/50 19.5	13.5	3600
AF RR TA INOX 55x23	5500	2300	2500	2500	1200	355/50 R22.2 o 435/50 19.5	15	4500
A RICHIESTA					1400			



ACCESSORI

ACCESSORIES / ACCESSOIRES / ZUBEHÖR / ACESSÓRIOS /
ACCESORIOS / AKCECCYAPЫ

	IN001	VA AFRR / AFRR TA
	IN002	VA AFRR / AFRR TA
	IN003	
	IN004	VA AFRR / AFRR TA
	IN005	VA AFRR / AFRR TA
	IN006	VA AFRR / AFRR TA
	IN009	DDF / DUMPER
	CR010	DDF / DUMPER
	IN011	DDF 13 - 15
	IN012	DUMPER 30 X 13 / DUMPER 30 X 15
	IN013	DUMPER 1-35X15.35X18
	IN014	DDF 18



AGROFER





G40RT



G40RT



PBC



PBC



PTM



TELESCOPICO



AF RR TANDEM



AF RR TANDEM



AF RR



BL



DDF



DDF



AGROFER

SRL



Via dell' Artigianato Loc. Ponte Cantone
25010 Pozzolengo (BS)
Tel. +39 030 9918243 - info@agrofer.it
www.agrofer.it

Werksbeauftragter Vertrieb Deutschland
Mario Schmidt
0171 36 19 398
mario@schmidt-ermstedt.de

